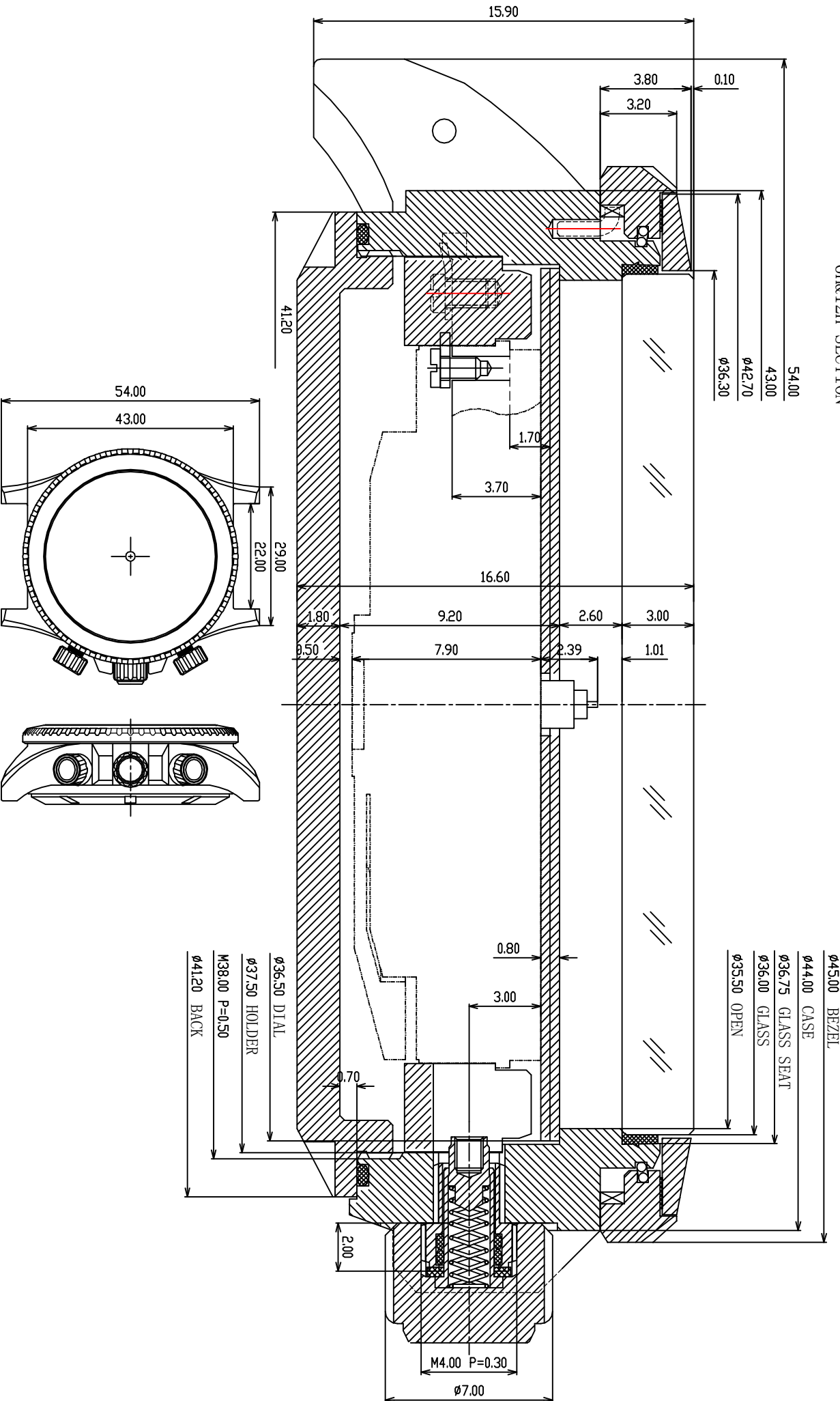


6H&12H SECTION

3H SECTION



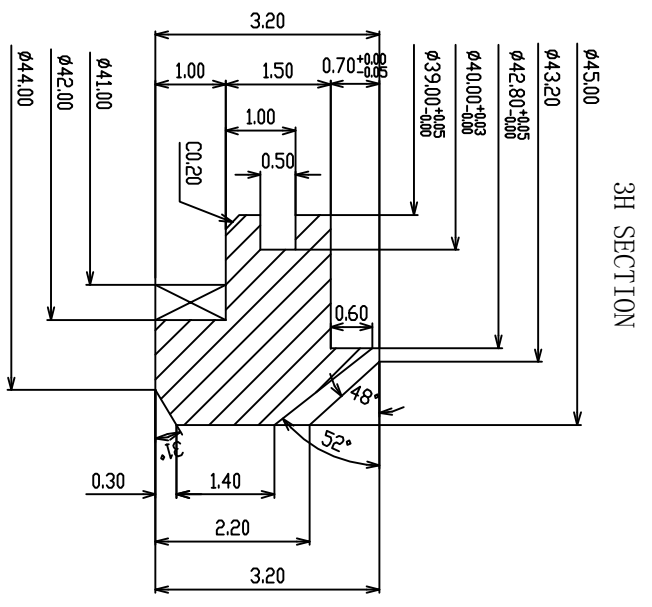
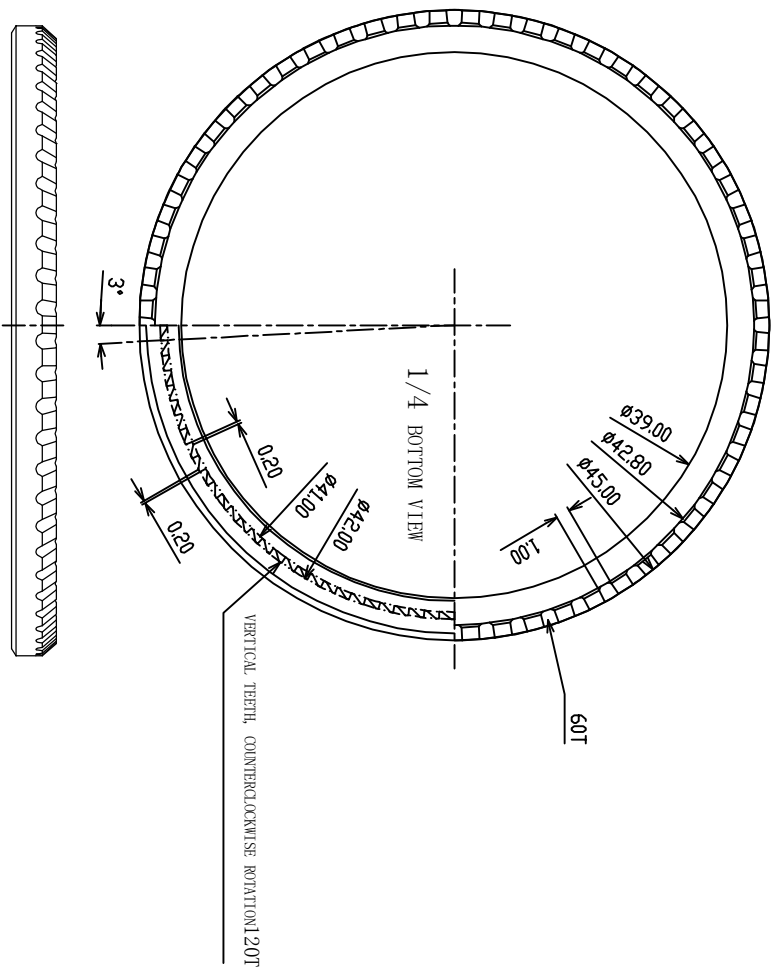
ONE O EIGHT

DRAWING NO.	DESIGNED NO.	PARTS NAME	ASSEMBLY	Customer Ref.	GT40
REF. NO.	GENERAL TOLERANCE: ±0.10/±0.5°	WATER PROOF	10 ATM	UNITS	1=1mm
CALIBRE NO.	7750	SCALE	1:1	SCALE	5:1
MATERIAL		SYMBOL	QTY		



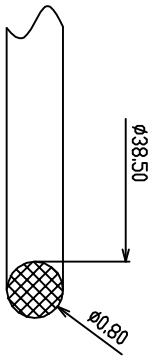
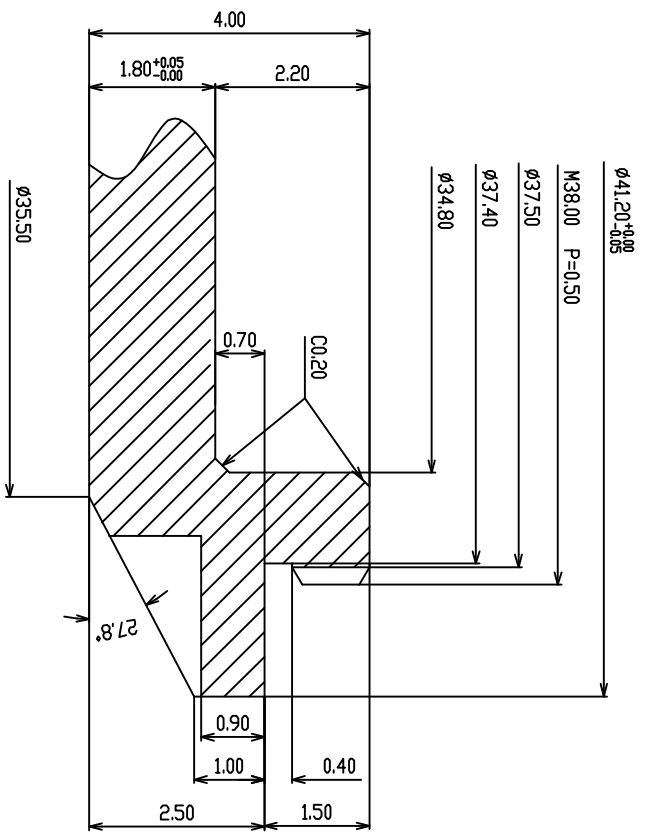
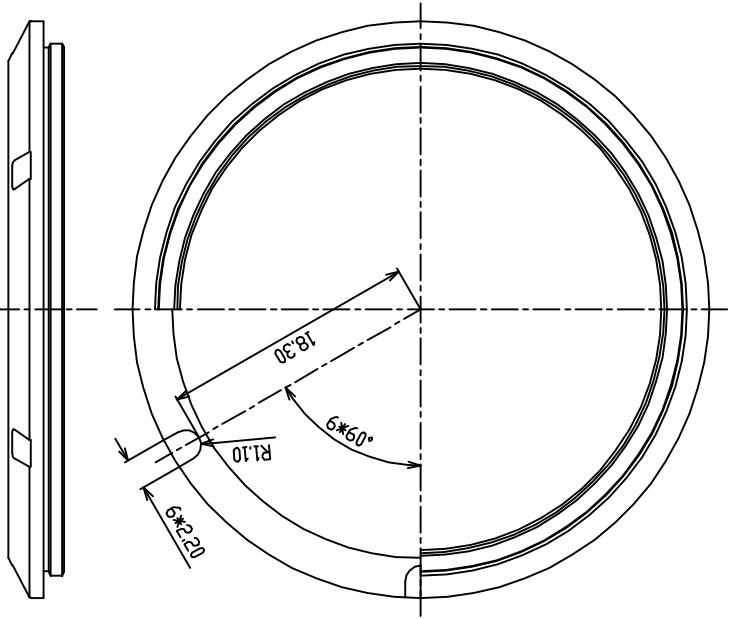






	<h1>ONE O EIGHT</h1>		REF. NO.	GENERAL TOLERANCE: ±0.10/±0.5°	
	DESIGNED NO.	PARTS NAME	BEZEL	WATER PROOF	10 ATM
			CALIBRE NO.	7750	UNITS   1=1mm
			MATERIAL		SCALE   2:1 10:1
			SAMPLE QTY		Customer Ref. <b>GT40</b>





**ONE 0 EIGHT**

DESIGNED NO.	PARTS NAME	BACK	REF. NO.	GENERAL TOLERANCE: ±0.10/±0.5°	WATER PROOF	10 ATM	UNITS	1=1mm	SCALE	2:1 10:1	Customer Ref.	GT40
					CALIBRE NO.	7750						
					MATERIAL							

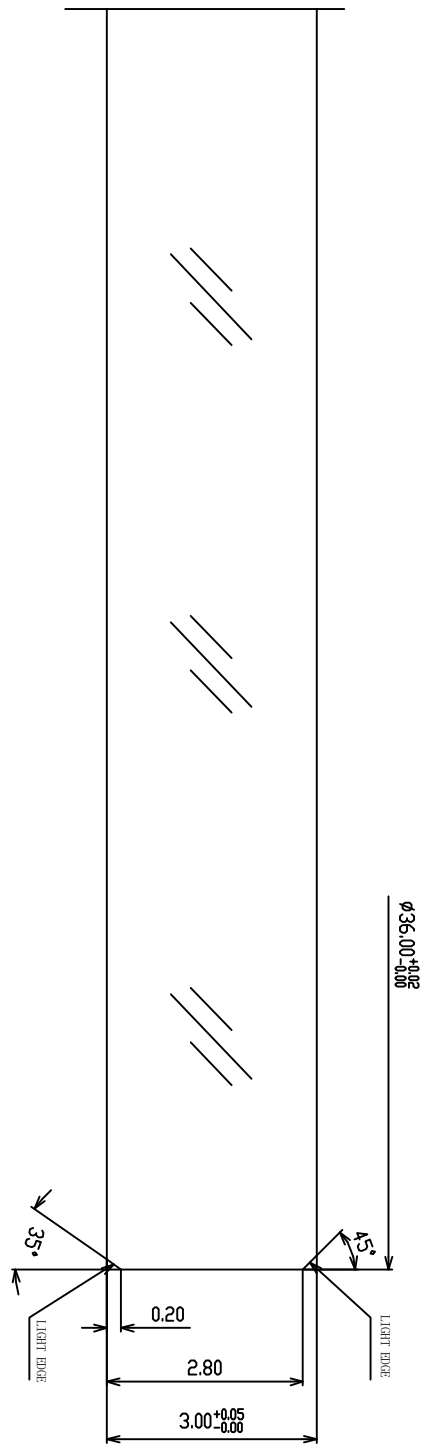
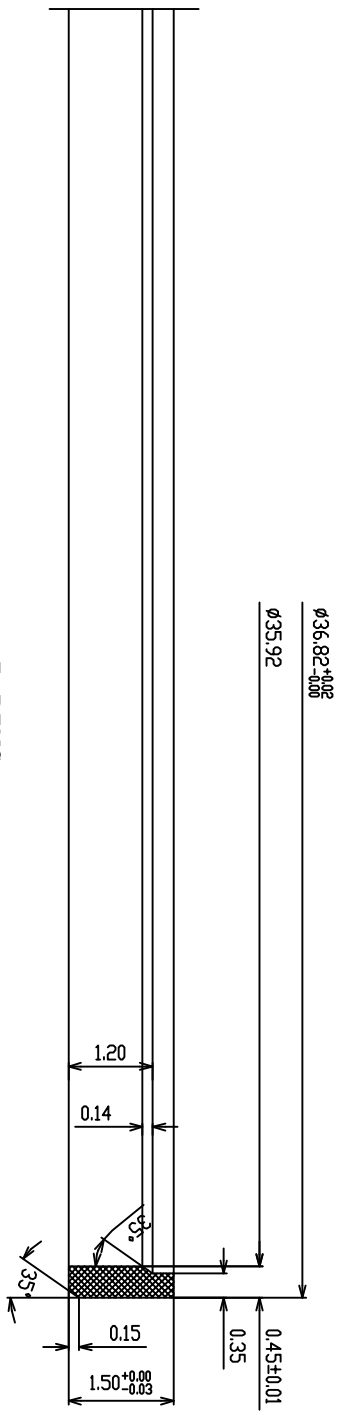


Customer Ref. **GT40**

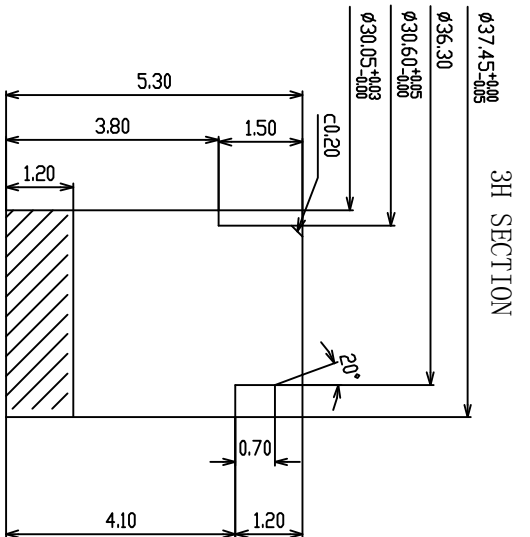
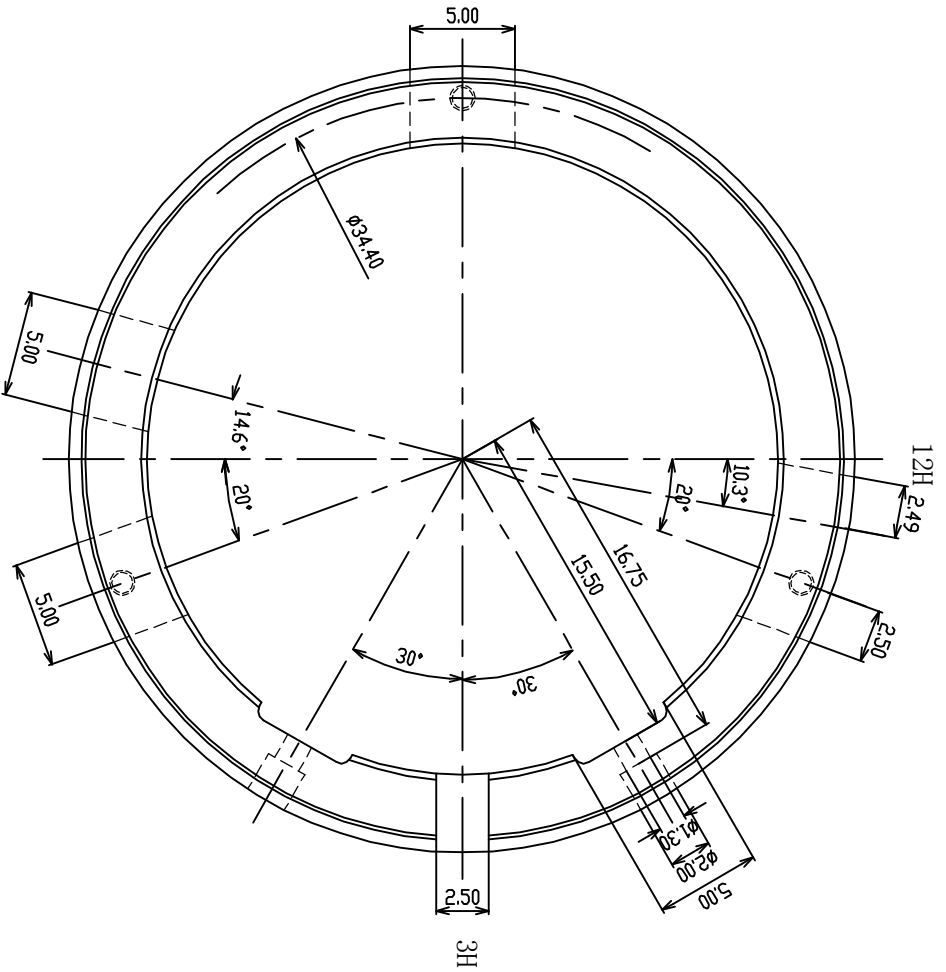
# ONE 0 EIGHT

DESIGNED NO.	PARTS NAME	GLASS	REF. NO.	GENERAL TOLERANCE: ±0.10/±0.5°	UNITS	1=1mm	SCALE	10:1	Customer Ref.	GT40
			WATER PROOF	10 ATM						
			CALIBRE NO.	7750						
			MATERIAL							

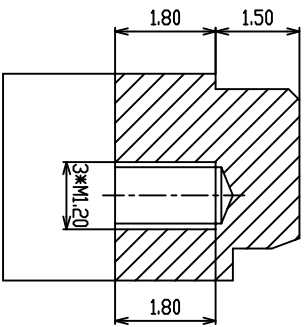
I-RING



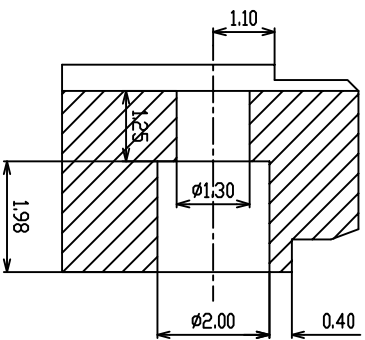




9H SECTION



2H/4H SECTION



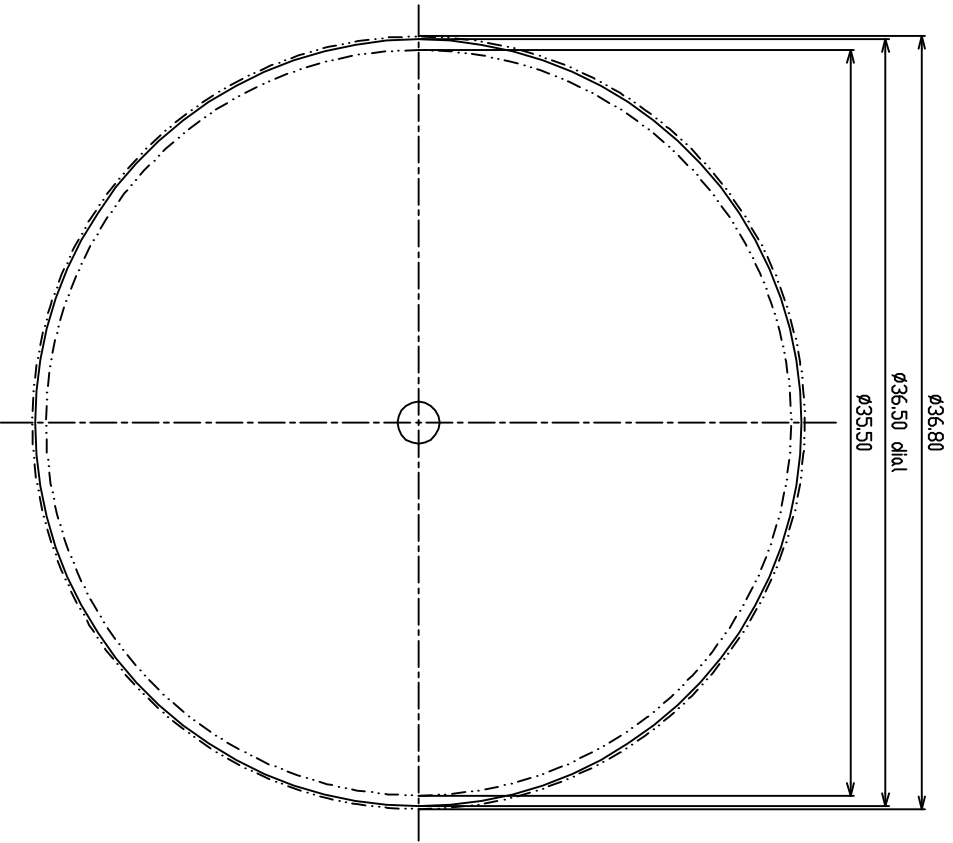
**ONE O EIGHT**




DESIGNED NO.

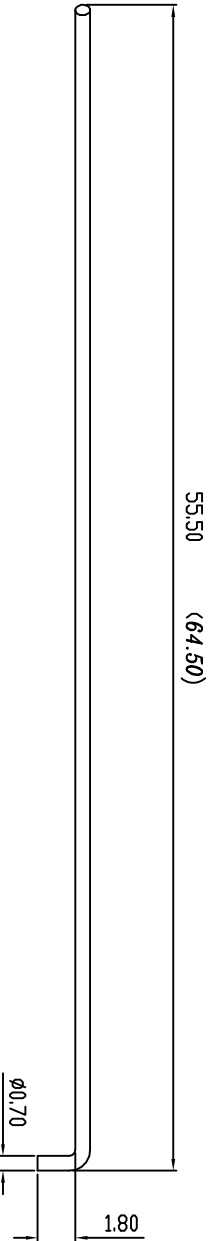
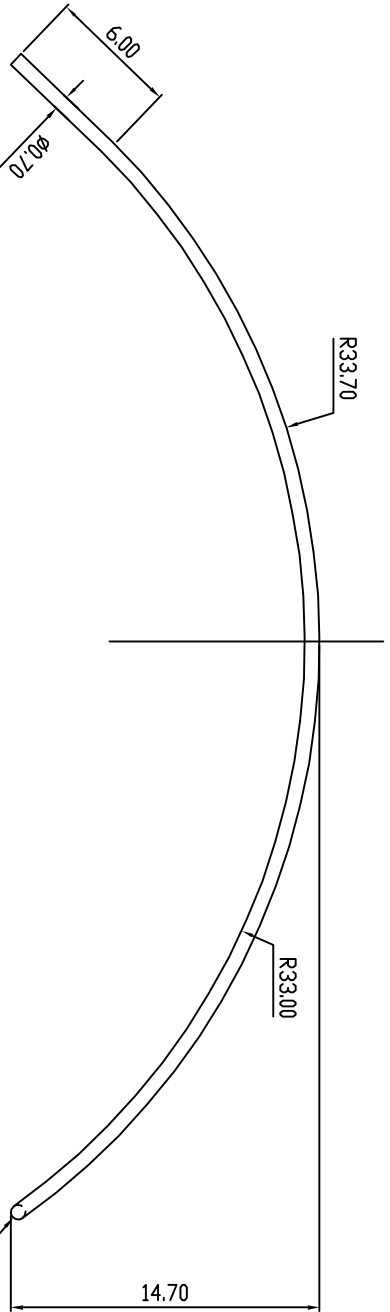
REF. NO.	GENERAL TOLERANCE: ±0.10/±0.5°	
WATER PROOF	10 ATM	UNITS   1=1mm
CALIBRE NO.	7750	SCALE   3:1 8:1
MATERIAL		
PARTS NAME	MOVT HOLDER	



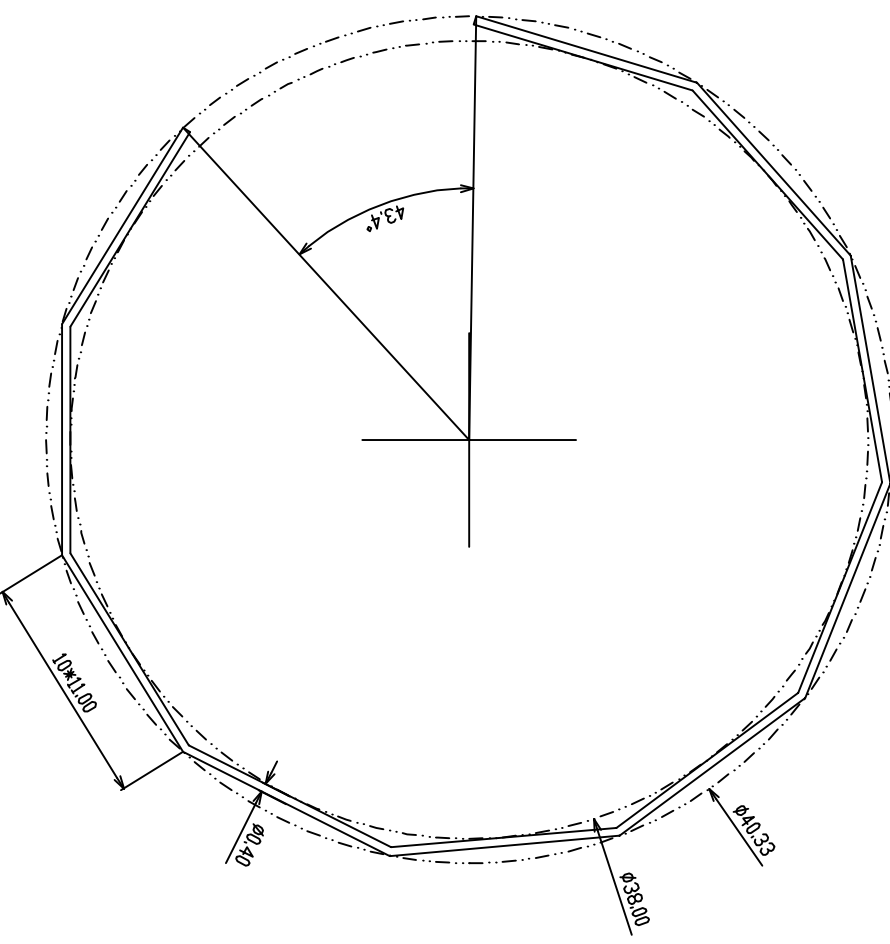
Customer Ref.	GT40
SYMBOL QTY	



		<b>ONE 0 EIGHT</b>	
		DESIGNED NO.	
REF. NO.		GENERAL TOLERANCE: ±0.10/±0.5°	
WATER PROOF	10 ATM	UNITS	1=1mm
CALIBRE NO.	7750	SCALE	3:1
MATERIAL			
PARTS NAME	DIAL		
			
			
Customer Ref.	GT40	SYMBOL QTY	



REF. NO.	WATER PROOF	CALIBRE NO.	WATER MATERIAL	GENERAL TOLERANCE: $\pm 0.10/\pm 0.5^\circ$	UNITS	SCALE	Customer Ref.
	10 ATM	7750		$\pm 0.10/\pm 0.5^\circ$	1=1mm	3:1	GT40
DESIGNED NO.	PARTS NAME	CLICK LING					
<h1>ONE 0 EIGHT</h1>							



**ONE 0 EIGHT**

DESIGNED NO.		PARTS NAME	FRICION SPRINGS	Customer Ref.	<b>GT40</b>
REF. NO.		GENERAL TOLERANCE:	±0.10/±0.5'	<input type="checkbox"/>	
WATER PROOF	10 ATM	UNITS	1=1mm	<input type="checkbox"/>	
CALIBRE NO.	7750	SCALE	3:1	<input type="checkbox"/>	
MATERIAL				<input type="checkbox"/>	
				SYMBOL	QTY

# ONE O EIGHT

DESIGNED NO.

PARTS NAME

CROWN

REF. NO.

WATER PROOF 10 ATM

CALIBRE NO. 7750

MATERIAL

GENERAL TOLERANCE: ±0.10/±0.5°

UNITS 1=1mm SCALE 10:1

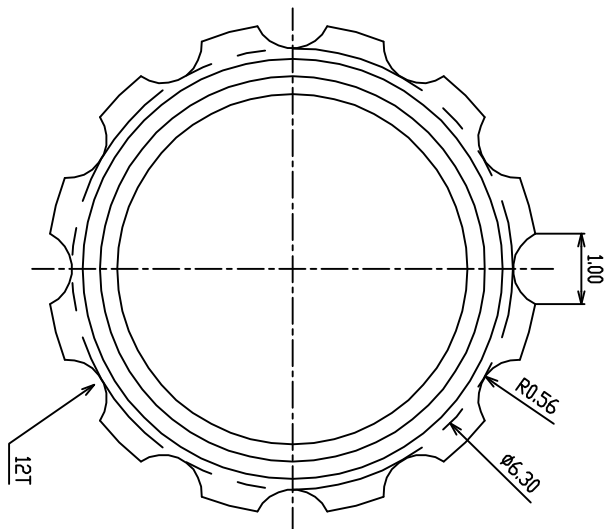
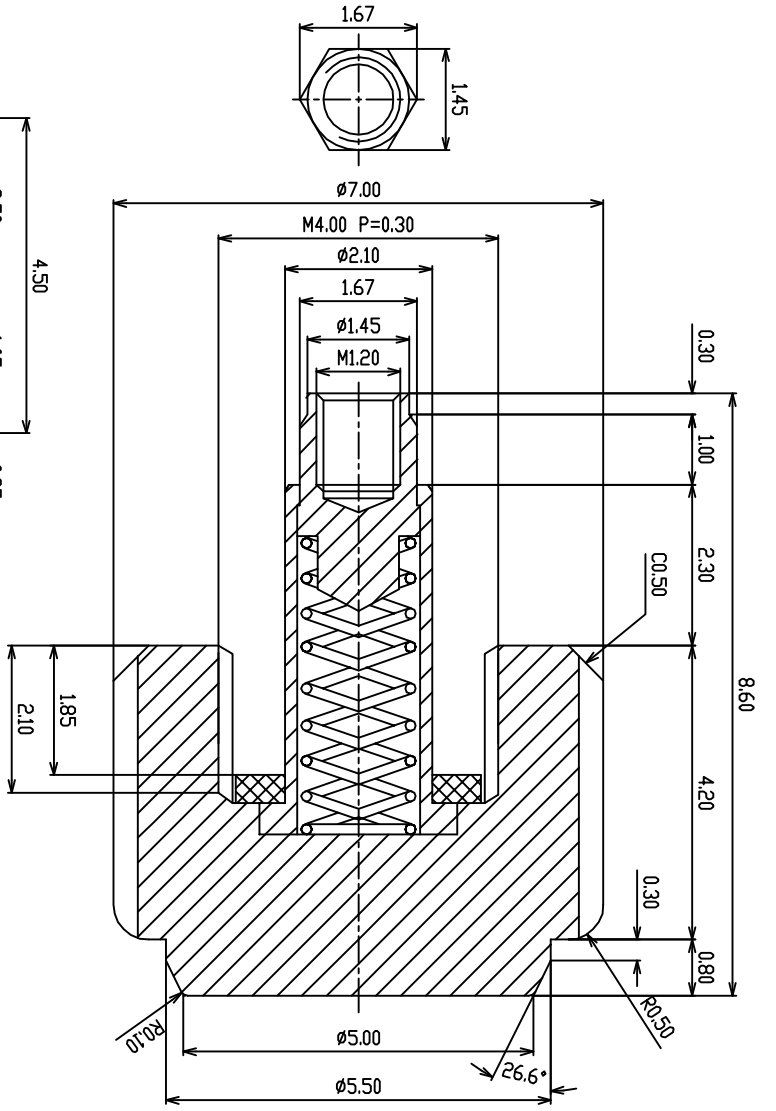
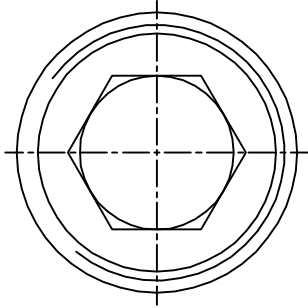
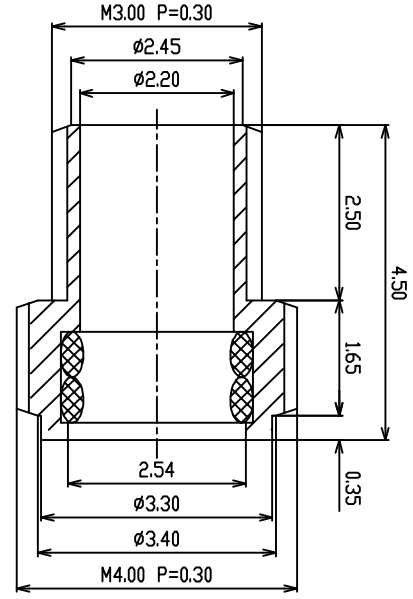
SCALE 10:1



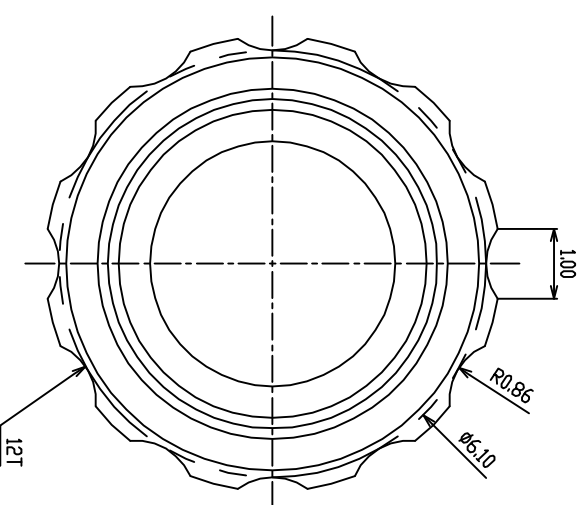
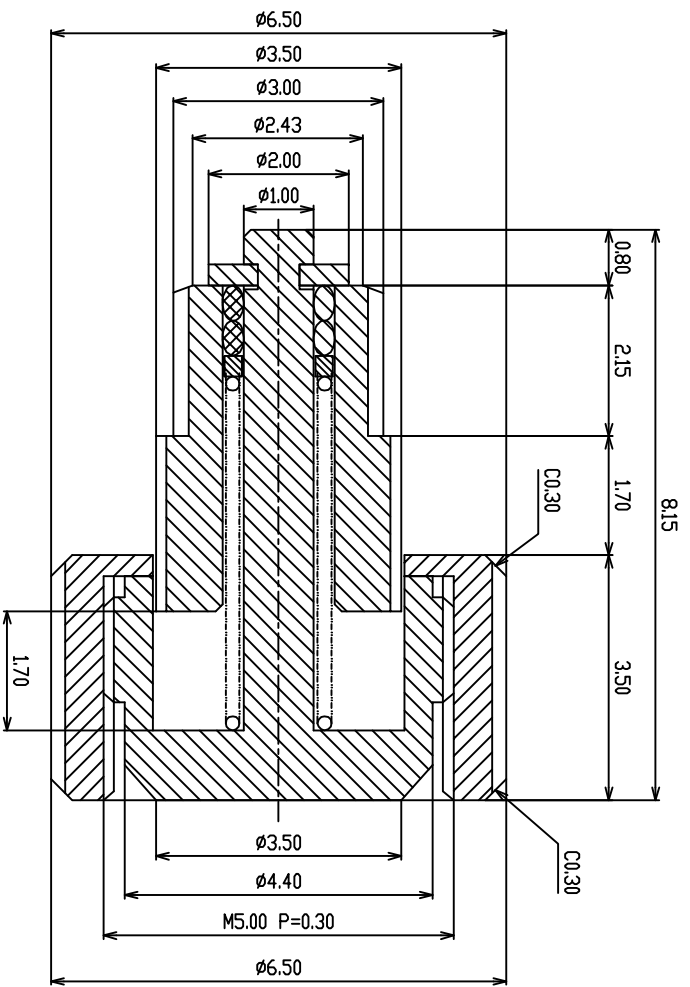
SYMBOL QTY

Customer Ref.

GT40



PLEASE PAY ATTENTION TO THIS MOVEMENT COREL. 20mm



2H/4H 2 SETS OF SCREWS

 ONE O EIGHT

DESIGNED NO.

REF. NO.  
WATER PROOF CALIBRE NO.  
PARTS NAME

10 ATM  
7750  
PUSHER

GENERAL TOLERANCE:  $\pm 0.10 / \pm 0.5^{\circ}$   
UNITS: 1 = 1mm  
SCALE: 10:1



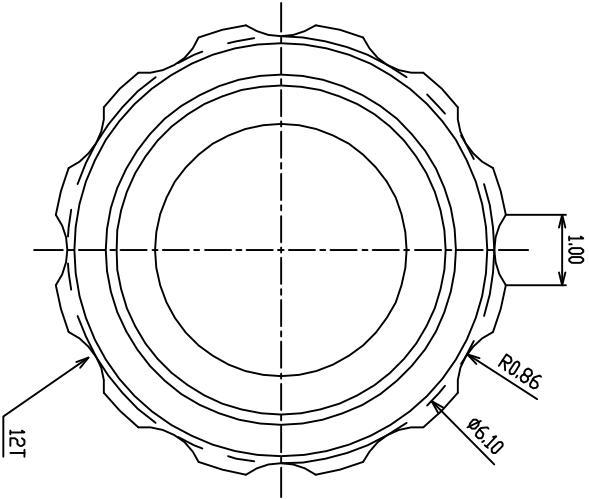
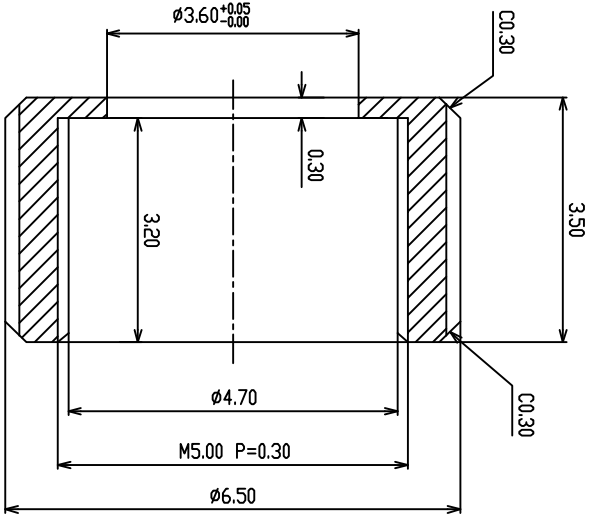
Customer Ref.

GT40

SYMBOL QTY



**ONE 0 EIGHT**

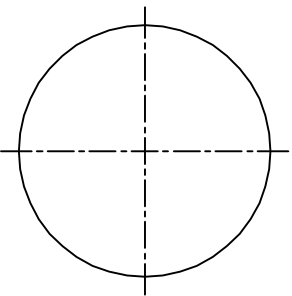
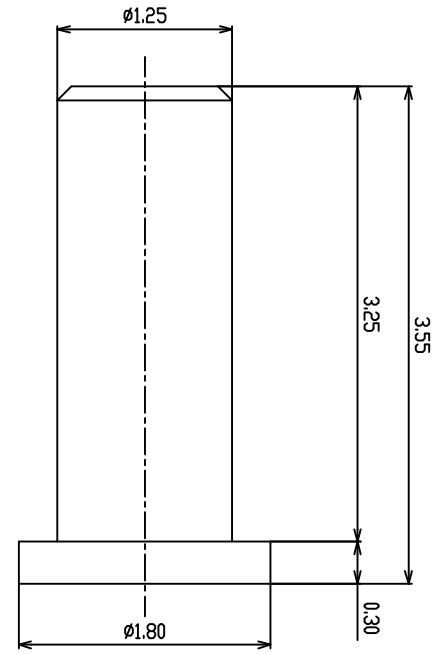


2H/4H PRESS CAP 2pcs

DESIGNED NO. PARTS NAME MATERIAL	REF. NO.	GENERAL TOLERANCE:±0.10/±0.5°		121	SYMBOL QTY Customer Ref. <b>GT40</b>
	WATER PROOF	10 ATM	UNITS   1=1mm	122	
	CALBRE NO.	7750	SCALE	10:1	
	SCALE			10:1	
DESIGNED NO.	PARTS NAME	MATERIAL			







**ONE 0 EIGHT**

DESIGNED NO.

REF. NO.		GENERAL TOLERANCE: ±0.10/±0.5°
WATER PROOF	10 ATM	UNITS 1=1mm
CALIBRE NO.	7750	SCALE 20:1
MATERIAL		
PARTS NAME	BOLT	



Customer Ref.	GT40
SYMBOL	
QTY	



